

# Z-SHAPED PROFILED POSTS

PROTECT WHAT YOU LOVE



MORE

## Z-SHAPED PROFILED POSTS MADE OF GALVANIZED STEEL

The perfect combination of durability and ease of assembly. The best solution when installing forest mesh.

Quick installation of the post to the ground - the possibility of mechanically driving the post into the ground.

Easy installation of the net on the post - just hang the net on the hooks and hit the hook with a hammer and the net is permanently attached to the post.

High structural strength thanks to Z-shaped profiling. The product is available in lengths **of 180 cm, up to 340 cm.**

Hooks are punched **every 10 cm - number of hooks on customer's request.**

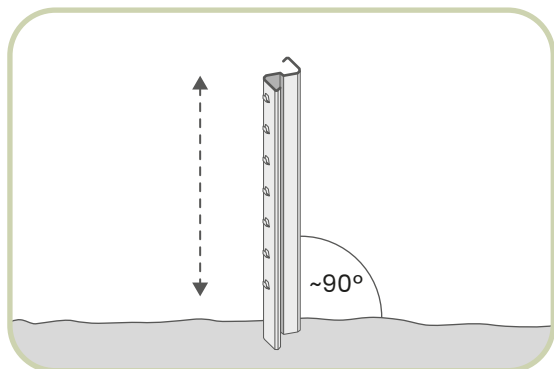
The posts are made of high-quality galvanized steel. **The thickness of the zinc in the range of 100-275g/m<sup>2</sup>.**

[www.farmmesch.pl](http://www.farmmesch.pl)

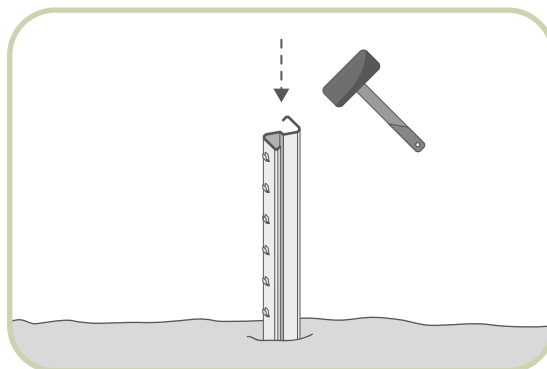


# Z-SHAPED PROFILED POSTS

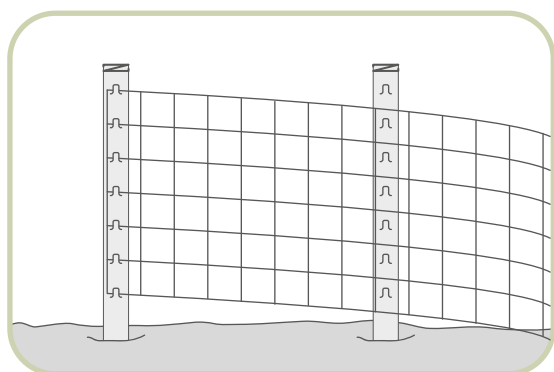
## INSTALLATION INSTRUCTIONS



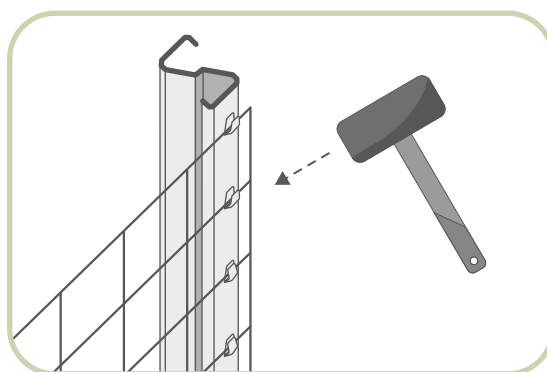
1. Set the post vertically and watch the plumb line while hammering the post into the ground.



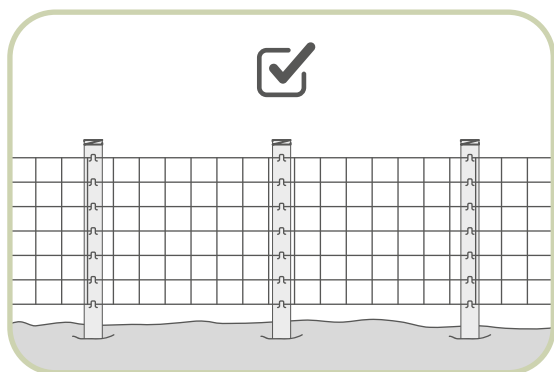
2. Drive the post into the ground. Suggested min. 50 cm.



3. Hang the net on the hooks.



4. Close the hooks by tapping them with a hammer.



5. **READY!** The net is already permanently attached to the post.

